



3Years Warranty

EXPLL-RX 5030H

Types of handrails to close access control.

ExPLL -RX 5030H. Handrail designed to close the open space, thus completing the access control. The system can be combined well with various models of turnstiles, ExPLL-RX high-speed gates and full-height turnstiles for use together.

The post and frame are made of durable, rust-resistant, brushed stainless steel. The center panel is made of glass and stainless steel material.

3 years warranty. It is suitable for indoor or outdoor applications. It can be easily mounted on the ground.

EXPII-RX Types of Handrails

Types of handrails to close access control.

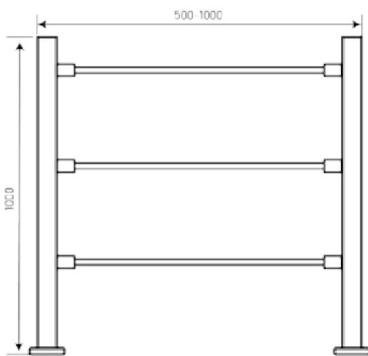


Technical Specifications

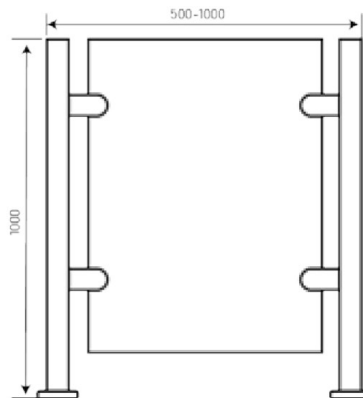
Post material	304 stainless steel
Panel material	Glass/stainless steel 304
Length	500 - 1000mm
Height	- 5030S: 1000mm - 5030G: 1000mm - QRD-6002G05; 500mm - 5030H: 2000mm
Weight	- 5030S: 10kg/units - 5030G: 15kg/units - 5030H: 5kg/units
Installation	Floor mounting
Optional model	5030G, 5030S, 5030H

Dimensions (mm)

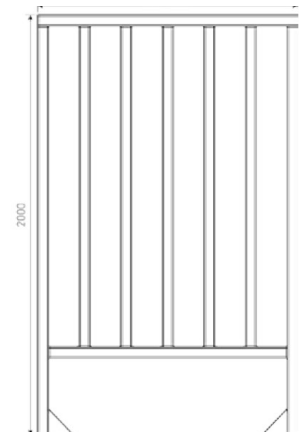
5030S



5030G



5030H



Product specifications are subject to change without notice