

EXPLL-RX Dunzer

Robustness & elegance. The fastest and most efficient lathe with hinged turnstiles.

The turnstile EXPLL-RX Dunzer is an "ultra fast" bidirectional "Slim" type swing turnstile with emergency opening, **automatic reset function**, **LED indicators**, **alarm function**, **anti-intrusion**. Integrates lights on the doors to mark valid or invalid access.

3-year warranty. It is one of the quietest and most robust bi-directional lathes on the market, thanks to a technology that guarantees an average of 15 million uses without impact on the brushless mechanics.

Ideal for accesses with buildings, museums, football stadiums, administrations, cinemas, gyms, banks, etc.

EXPII-RX Dunzer Turnstile

Robustness & elegance. The fastest and most efficient turnstile with hinged turnstiles.

Features

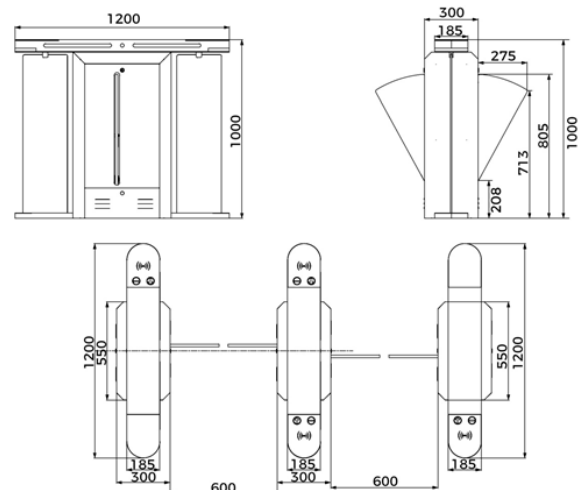
- The body is rustproof, waterproof and durable.
- The transparent side panels make the whole door compact and unique, enhancing the aesthetic profile.
- It is ideal for both indoor and outdoor use.
- Supports any type of external device (display, counter, face recognition, push button, card collector, RFID wristband card collector, RFID wristband collector, coin inserter, barcode/QR reader, etc.).
- The passage width of the turnstile can reach 600~900mm, which is suitable for people with reduced mobility.



Technical Specifications

| | |
|--------------------------------|--|
| Framework Material | 304 Stainless steel+ plexiglas arm |
| Arm material | Plexiglas-transparency |
| Dimension | 1200 * 185 * 1000mm |
| Passage Width | 600mm (standard), 900mm (people with reduced mobility) |
| Net Weight / Passing Direction | 70kg/pcs (single core), 80kg/pcs (double core) / Single directional and Bi-directional |
| MCBF | 15 million |
| Power Supply | AC220V/110V, 50/60Hz |
| Operation Voltage | 24V DC |
| Power Consumption | 40W |
| Operation Temperature | -15 °C - 60 °C |
| Operation Humidity | 0 ~ 95% (No freeze) |
| Working Environment | Indoor / Outdoor |
| Flow Rate | 45-55 people per minute |
| LED Indicator | Two LED indicators on top: green -> entry. red x no entry |
| Infrared Sensor | 16 pairs (8 pairs on the top + 8 pairs on the below) |
| Emergency | Automatic arm open when power off |
| Communication | Dry contact, Relay signal, RS485 |

Dimensions (mm)



Product specifications are subject to change without notice.