



3 Years Warranty



Biometrics



RFID



Barcode



QR Code

EXPLL-RX Empire EXP-401F

Full height turnstile with rain protection cover.

ExPLL -RX Empire EXP -401 F is a high -tech , full -height single -rail turnstile incorporating a solid rain protection roof and 304 /316 stainless steel frame to withstand the harshest circumstances and intrusions.

Stainless steel body, waterproof and durable. Standard dimension of 1.5m x 1.3m. This winch can be adapted and customized according to the customer's needs. The mechanism is equipped with a self-regulating hydraulic damping device. No noise and no impact during operation.

3 years warranty. Ideal for high security areas such as embassies, stadiums, banks, oil fields, construction sites, stations, etc.

EXPII-RX Empire EXP-401F Full Height Turnstile

Full height turnstile with rain protection cover.

Features

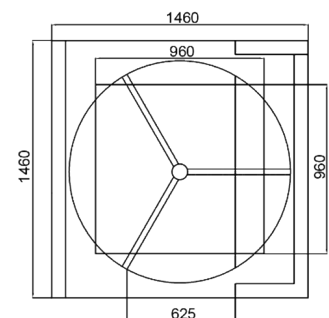
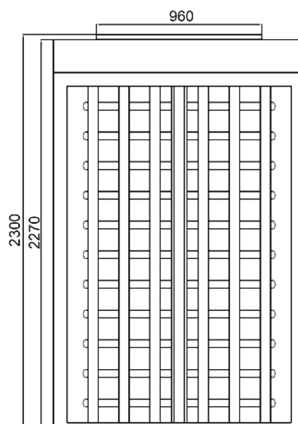
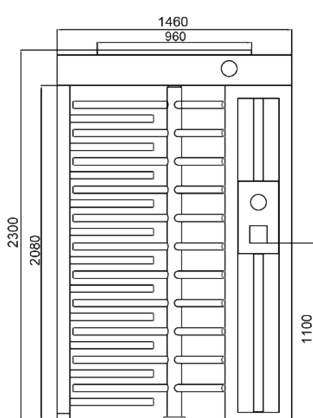
- Structure to contain the wiring inside the box.
- Entry direction manually controllable by lock.
- IP65 watertightness level, indoor/outdoor use.
- Anti-tail function: only one person passes through at a time.
- Override key function: in case of emergency, control the opening/closing winch manually .
- Supports any type of external device solution (Display, Counter, Reader, Facial recognition, Push button, Card collector, RFID wristband collector, Coin inserter, Barcode/QR reader, Wheel).



Technical Specifications

Frame material	Full stainless steel 304 / 316
Arm support	120° rotors with 3 sections or 90° rotors with 4 sections
Dimensions	1460 * 1460 * 2300mm (inside height; 2080mm)
Net weight	200kg/unit
Pitch width	625mm/rail
Pitch direction	Monodirectional and Bidirectional
MCBF	10 million
Power supply	AC220V/110V, 50/60Hz
Operating voltage	24V DC
Power consumption	40W
Operating temperature	-15°C - 60°C
Operating humidity	0 ~ 95% (no freezing)
Operating environment	Indoor / Outdoor
Flow rate	30 persons per minute
LED indicator	Yes
Emergency	Automatic opening of the arm when power is cut o
Communication	Dry contact, relay signal, RS485

Dimensions (mm)



Product specifications are subject to change without notice