



3 Years Warranty



Biometrics



RFID



Barcode



QR Code

# EXPLL-RX Magma

The fastest compact turnstile-slide on the market.

**ExPLL -RX Magma** is perfect for sites with a large visitor flow rate and in both directions. The opening/closing speed is **0.2 seconds** and **55 people per minute**. It has long lasting performance, high reliability of operation and fast response.

**3-year warranty.** In its unique and modern design, it incorporates magnetic card panel, attractive blue LED strip, brushed stainless steel solid body case and high-end black paint.

It supports the standard 650 mm turning type and the 1000 mm turning type for people with reduced mobility for wide passage. Pedestrians with large luggage can also pass.

# EXPII-RX Magma Turnstile ultra-fast

The fastest compact turnstile-slide on the market.

## Features

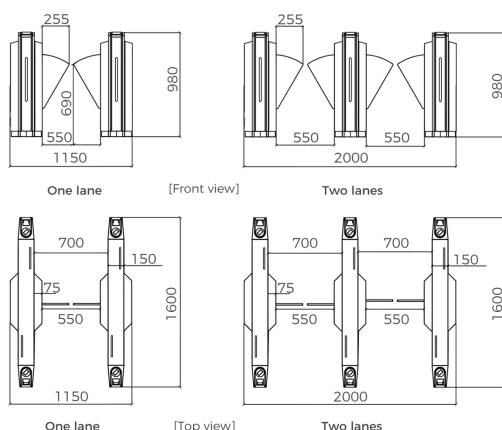
- Brushed stainless steel and high-end black paint.
- Choice of one-way or two-way.
- Ideal for both indoor and outdoor use.
- Decorative LED light bar, gives a modern look.
- Automatic reset function: the winch arm will automatically lock within 5 sec. (can be adjusted) if the passenger delay is given to the entrance.
- RFID, fingerprint and biometric reading device can be integrated.



## Technical Specifications

Certification	Compliance CE, ROHS
Communication	Dry contact, Relay signal, RS485
Framework Material	304 brushed stainless steel+ High end black painting
Arm material	Plexiglas-transparency
Dimension / Net Weight	1600 * 150 * 980mm / 85kg/pcs (single core), 105kg/pcs (double core)
Passage Width	650mm (standard), 1000mm (handicap)
Passing Direction	Single directional / Bi-directional
MCBF	15 million
Power Supply / Voltage	AC220V/110V, 50/60Hz / 24V DC
Power Consumption	90-100W
Operation Temperature	-20°C - 75°C
Operation Humidity	0 ~ 95% (No freeze)
Working Environment	Indoor / Outdoor (shelter)
Flow Rate	55 people per minute
LED Indicator	Unique blue LED strip (front+ top+ arm)
Infrared Sensor	8 pairs (standard)
Emergency	Automatic arm open when power off

## Dimensions (mm)



Product specifications are subject to change without notice.