



3 Years Warranty



Remote Control



Button contactless



Card Reader



QR Code Reader



Fingerprint Reader



Facial Reader



Hand Palm Reader

# EXPLL-RX Text-Dark

Double core tripod turnstile (two rails)

**ExPLL-RX Text-Dark.** Tripod turnstile with two rotating arms, housed in a single structure, with two 550 mm aisles, offers increased traffic efficiency and space-saving installation.

The color can be customized according to the installation environment, the material is optional. Dimensions can be customized according to your needs and logo can be personalized.

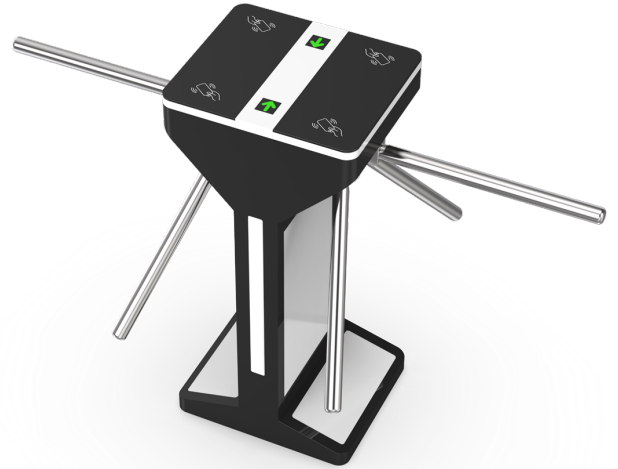
**3-year warranty.** Easy to install and maintain. Fire safety requirements, arms lower automatically.

# EXPII-RX Text-Dark (two lanes)

Double core tripod turnstile (two rails)

## Features

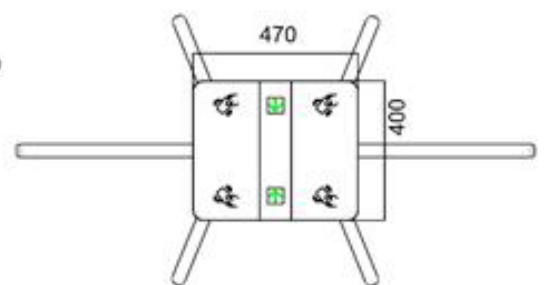
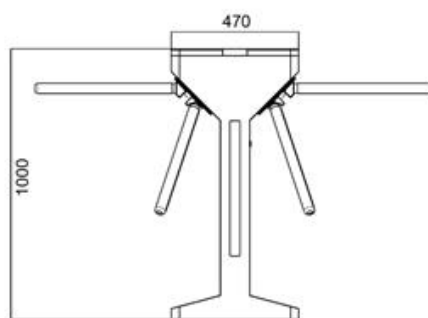
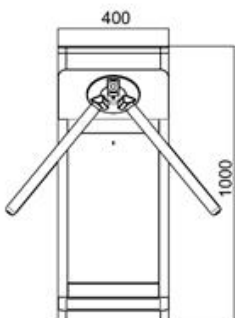
- Bidirectional or unidirectional operation.
- 304/316 stainless steel material.
- Support integrated with any type of access control.
- Lower power consumption.
- Low noise level, the system operates smoothly.
- Green and red LED indicator of passage status.
- Indoor/outdoor use.
- 3 years warranty.
- Non-return function: only one person passes through at a time.



## Technical Specifications

Certifications	CE, ROHS, FCC compliance
Material of the structure	304 / 316 stainless steel
Dimensions	1200 * 460 * 1000mm
Net Weight	90kg/unit
Passage width	550mm + 550mm
Direction of passage	Unidirectional and Bidirectional
MCBF	10 million
Power supply	AC220V/110V, 50/60Hz
Operating voltage	24V DC
Power consumption	20W
Operating temperature	-15 °C - 60 °C
Operating humidity	0 ~ 95% (No freezing)
Operating environment	Indoor / Outdoor
Flow rate	35 +35 persons per minute
LED indicator	LED indicators on top and front
Communication	Dry contact, relay signal, RS485
Emergency	Arms will lower automatically
Flexibility	Integrates with any access control

## Dimensions (mm)



Product specifications are subject to change without notice.