



3 Years Warranty



Remote Control



Button contactless



Card Reader



QR Code Reader



Fingerprint Reader



Facial Reader



Hand Palm Reader

EXPLL-RX Webio 100

The customizable tripod turnstile that adapts to any environment.

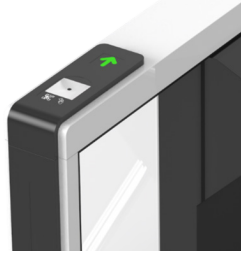
ExPLL -RX Webio 100. "PREMIUM " tripod with bidirectional and unidirectional passage with IP65, suitable for outdoor and indoor use, and automatic arm drop. Includes green and red LED pictogram of passage status.

The color can be optionally customized according to the installation environment. Dimensions are customizable according to your needs. Optionally can be customized with company logo.

3-year warranty. 10 million steps multiplying x10 the capacities of its direct competitors. Easy to install and maintain. Low noise level, the system operates smoothly. Low power consumption.

EXPII-RX Webio 100 Tripod Turnstile

The customizable tripod turnstile that adapts to any environment.

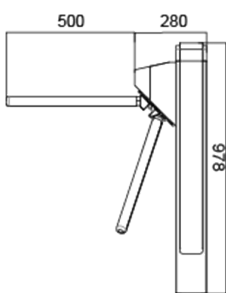


Card Solution QR/Bar Code Solution Biometric Solution

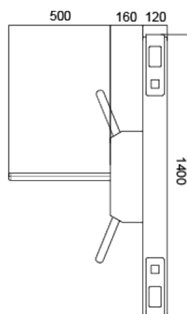
Technical Specifications

Certifications	Conformity CE, ROHS, FCC
Frame material	Steel / Black and white baked-on varnish / Tempered glass
Arm material	Stainless steel
Dimensions	1400 * 120 * 978mm
Net weight	65kg/unit
Pitch width	550mm
Pitch direction	Unidirectional and Bidirectional
MCBF	10 million
Power supply	AC220V/110V, 50/60Hz
Operating voltage	24V DC
Power consumption	40W
Operating temperature	-20 °C - 75 °C
Operating humidity	0 ~ 95% (No freezing)
Operating environment	Indoor / Outdoor
Flow rate	40 persons per minute
LED indicator	LED indicator: two LED indicators on the top of the unit
Communication	Dry contact, relay signal, RS485
Flexibility	Integrates with any access control

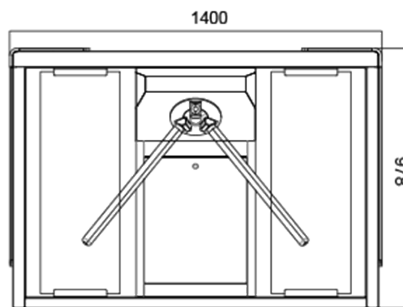
Dimensions (mm)



Front View



Top View



Side view



Product specifications are subject to change without notice.