



3 Years Warranty



Biometrics



RFID



Barcode



QR Code

EXPLL-RX Minify

Fast, efficient, robust and elegant tripod turnstile.

ExPLL -RX Minify is a tripod for access control with high performance and reliability. Its dimensions are reduced to adapt to spaces in the most optimal way. Easy to install and maintain.

3-year warranty. It is one of the quietest and most robust bi-directional lathes on the market, due to a technology that guarantees an average of **5 million steps** without impact on the "brushless" mechanics.

Ideal for accesses with buildings, museums, soccer stadiums, administrations, cinemas, gymnasiums, banks, etc.

Biometrics RFID Barcode QR Code

EXPII-RX Digion Tripod-Turnstile

ExPII-RX's new customizable tripod turnstile for tight spaces.

Features

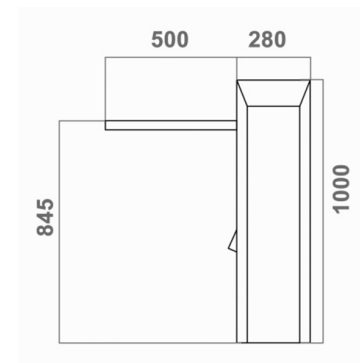
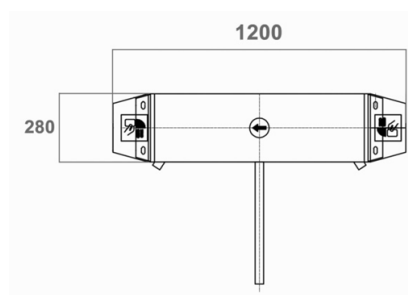
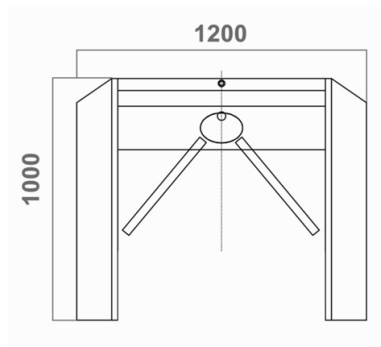
- The body is rustproof, waterproof and durable.
- It is ideal for both indoor and outdoor use.
- Supports any type of external device (display, counter, facial recognition, push button, card collector, RFID wristband card collector, RFID wristband collector, coin inserter, barcode/QR reader, etc.).
- In case of emergency, the horizontal arms of the tripod will automatically lower to allow free passage.
- Anti-tail function: only one person passes at a time.



Technical Specifications

Frame material	304 stainless steel
Arm material	stainless steel (red rubber padding optional)
Dimensions	1200 * 280 * 1000mm
Weight	50kg/pcs
Pitch width	550mm (arm length: 500mm)
Pitch direction	Unidirectional and Bidirectional
MCBF	5 million
Power supply	AC220V/110V, 50/60Hz
Operating voltage	24V DC
Power consumption	20W
Operating temperature	-15 °C - 60 °C
Operating humidity	0 ~ 95% (no freezing)
Operating environment	Indoor / Outdoor
People flow rate	35-40 persons per minute
LED indicator	Yes
Emergency	Automatic arm drop when power o
Communication	Dry contact, relay signal, RS485

Dimensions (mm)



Product specifications are subject to change without notice.