



3 Years Warranty



Remote Control



Button contactless



Card Reader



QR Code Reader



Fingerprint Reader



Facial Reader



Hand Palm Reader

EXPLL-RX SoftCell

Bidirectional tripod turnstile made of sturdy steel.

ExPLL-RX SoftCell. Bidirectional tripod made of high quality brushed stainless steel. Ideal for both outdoors and indoors. Suitable for general foot traffic. Anti-queuing function; only one person passes at a time.

Multiple access controller board can be connected by TCP/IP via network cable, control by central computer. Also has RS232 output, can be connected with mini PC.

3 years warranty. Easy to install and maintain. Fire safety requirements, arms are lowered automatically.

EXPII-RX SoftCell Tripod Turnstile

Bidirectional tripod turnstile made of sturdy steel.

Features

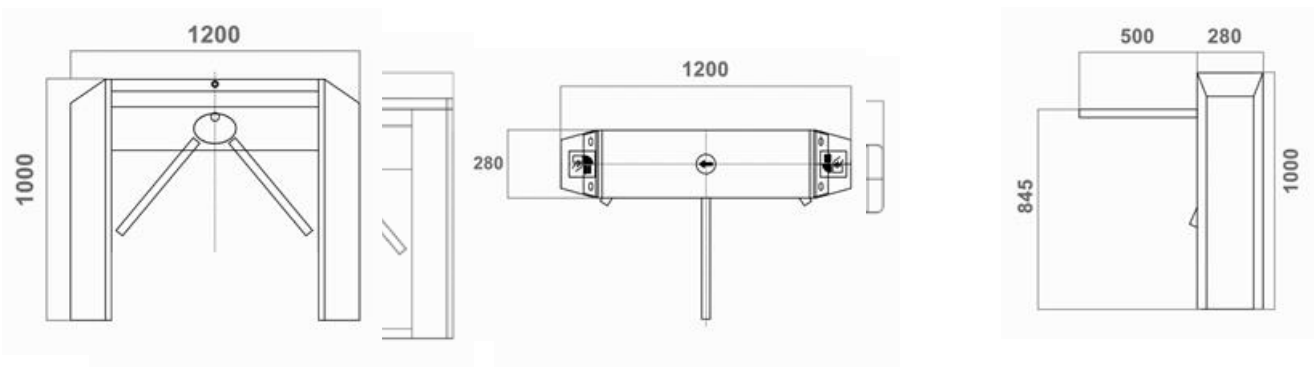
- Bidirectional or unidirectional operation.
- 304 stainless steel material.
- Support integrated with any type of access control.
- Lower power consumption.
- Low noise level, the system operates smoothly.
- Green and red LED indicator of passage status.
- Indoor/outdoor use.
- Automatic reset function: the arms will lock automatically in 5s (adjustable), the
- automatically in 5s (adjustable), if passenger delay occurs.



Technical Specifications

Frame material	Stainless steel 304
Arm material	Stainless steel
Dimensions	1200 * 280 * 1000mm
Net Weight	55kg/unit
Pitch width	550mm (arm length: 500mm)
Pitch Direction	Unidirectional and Bidirectional
MCBF	5 million
Power supply	AC220V/110V, 50/60Hz
Operating voltage	24V DC
Power consumption	20W
Operating temperature	-20 °C - 75 °C
Operating humidity	0 ~ 95% (No freezing)
Operating environment	Indoor / Outdoor
Flow rate	35 - 40 persons per minute
LED indicator	LED indicators on top and front
Communication	Dry contact, relay signal, RS485
Emergency	Arms will lower automatically

Dimensions (mm)



Product specifications are subject to change without notice.